



**Description:** LED recessed luminaire, direct light, suitable for installation on false ceilings with modular panels MODEL ATENA SYNCRO EVO B24 type 600mm x 600mm. Wired body resting on the false ceiling structure, lower diffuser equipped with a special coupling system using harmonic steel springs, supplied. It is recommended to hang the lighting body on the floor (hanging system not supplied).

**Body:** steel sheet, painted in matt white (RAL 9003 matt) with thermosetting epoxy powders at 180 ° C, after degreasing, phosphating and washing treatment. The device, equipped with internal sealing gaskets, guarantees total protection against dust and water jets, thus allowing its use in environments such as chemical laboratories, rooms and hospital rooms, operating theaters and generally in environments where they are necessary. particular aseptic conditions.

**Optical group:** MOT optic with high transmittance opal methacrylate diffuser. Lower diffuser support frame in matt white painted steel (matt RAL 9003) with **ANTIBACTERIAL TREATMENT** fixed to the metal body by means of special steel springs, without visible screws. It offers excellent light diffusion with high uniformity.

Optics resistant to glow-wire test at 650 ° C according to CEI EN 60695-2-11 standards.

Protection degree **IP65**.

**Wiring:** power supply 220-240V 50 / 60Hz with rigid cable, sect. 0.50 mm<sup>2</sup> and PVC-HT sheath resistant to 90 ° C according to CEI 20-20 standards. Terminal block with maximum allowed cable cross section of 2.5 mm<sup>2</sup>. Insulation class I. Suitable for installation on normally flammable surfaces.

- LED-F version with electronic driver with fixed output (ON / OFF), included, protection fuse.
- Dimmable LED-F DALI version, with DALI dimmable electronic driver included, protection fuse.

Versions with 1 / 3h autonomy emergency kit and with RGB DMX circuit available on request.

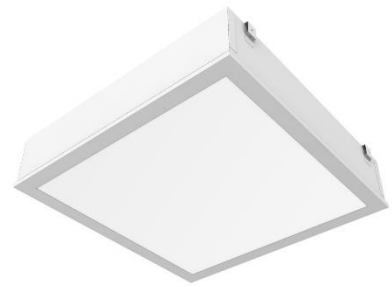
**Luminous source:** High efficiency LEDs arranged on rigid modules, color rendering IRC > 80 or IRC > 90, color temperature 4000K (3000K and 5000K available on request) LED diode selected 3 MacAdam ellipses in order to guarantee uniform chromaticity.

LED TUNABLE WHITE 2700-6500K versions available on request.

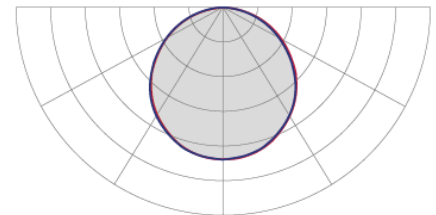
Life of the sources in normal conditions: over 50,000 hours L80 / B10 at Ta = 25 ° C.

**Regulations:** appliance complies with the following standards:

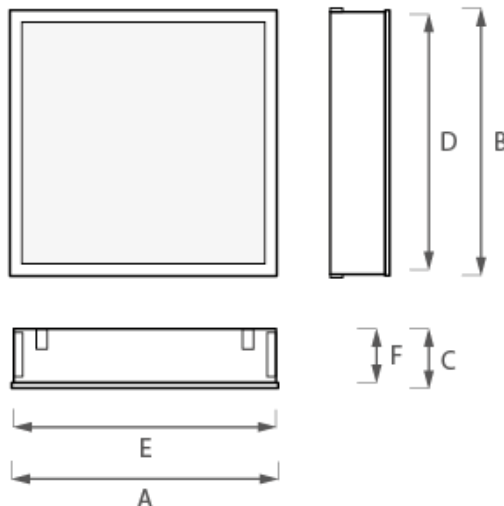
- |                 |                  |                           |
|-----------------|------------------|---------------------------|
| • EN 61547      | • IEC/TR 62471-2 | • EN 60598-2-2            |
| • EN 55015      | • EN 60061-1     | • EN 62471 (risk class 0) |
| • EN 61000-3-2  | • EN 62031       | • EN 62560                |
| • EN 61000-3-3  | • EN 62493       | • EN 60968                |
| • EN 61347-1    | • EN 60598-1     | • CEI 76-10               |
| • EN 61347-2-13 | • EN 60598-2-1   | • EN 60529                |



Demonstration image



Photometric curve





**Module 600x600**

Power [W]	Color temperature [K]	CRI	Effective flux [lm] *	Efficiency [lm/W]	Energetic class	Dimensions [mm]						Code / Wiring	
						A	B	C	D	E	F	LED-F	LED-F DALI
38	4000K	>80	4218	111	A++	600	600	135	592	591	118	442000265	442000266
38	4000K	>90	3382	89	A++	600	600	135	592	591	118	442000267	442000268
44	4000K	>80	4884	111	A++	600	600	135	592	591	118	442000269	442000270
44	4000K	>90	3916	89	A++	600	600	135	592	591	118	442000271	442000272
50	4000K	>80	5550	111	A++	600	600	135	592	591	118	442000273	442000274
50	4000K	>90	4450	89	A++	600	600	135	592	591	118	442000275	442000276
78	4000K	>80	10218	124	A++	600	600	135	592	591	118	442000277	442000278
78	4000K	>90	7722	99	A++	600	600	135	592	591	118	442000279	442000280

**Module 600x1200**

Power [W]	Color temperature [K]	CRI	Effective flux [lm] *	Efficiency [lm/W]	Energetic class	Dimensions [mm]						Code / Wiring	
						A	B	C	D	E	F	LED-F	LED-F DALI
88	4000K	>80	9768	111	A++	600	1200	135	1192	591	118	442000281	442000282
88	4000K	>90	7832	89	A++	600	1200	135	1192	591	118	442000283	442000284
100	4000K	>80	11100	111	A++	600	1200	135	1192	591	118	442000285	442000286
100	4000K	>90	11100	89	A++	600	1200	135	1192	591	118	442000287	442000288
156	4000K	>80	19344	124	A++	600	1200	135	1192	591	118	442000289	442000290
156	4000K	>90	15444	99	A++	600	1200	135	1192	591	118	442000291	442000292

\* Actual flow may have a tolerance of ± 10%.



**Description:** LED recessed luminaire, direct light, suitable for installation on false ceilings with modular panels MODEL ATENA SYNCRO EVO B24 type 600mm x 600mm. Wired body resting on the false ceiling structure, lower diffuser equipped with a special coupling system using harmonic steel springs, supplied. It is recommended to hang the lighting body on the floor (hanging system not supplied).

**Body:** steel sheet, painted in matt white (RAL 9003 matt) with thermosetting epoxy powders at 180 ° C, after degreasing, phosphating and washing treatment. The device, equipped with internal sealing gaskets, guarantees total protection against dust and water jets, thus allowing its use in environments such as chemical laboratories, rooms and hospital rooms, operating theaters and generally in environments where they are necessary. particular aseptic conditions.

**Optical group:** MOT optic with high transmittance opal methacrylate diffuser. Lower diffuser support frame in matt white painted steel (RAL 9003 matt) fixed to the metal body by means of special steel springs, without visible screws. It offers excellent light diffusion with high uniformity.

Optics resistant to glow-wire test at 650 ° C according to CEI EN 60695-2-11 standards.

Protection degree IP65.

**Wiring:** power supply 220-240V 50 / 60Hz with rigid cable, sect. 0.50 mm<sup>2</sup> and PVC-HT sheath resistant to 90 ° C according to CEI 20-20 standards. Terminal block with maximum allowed cable cross section of 2.5 mm<sup>2</sup>. Insulation class I. Suitable for installation on normally flammable surfaces.

- LED-F version with electronic driver with fixed output (ON / OFF), included, protection fuse.
- Dimmable LED-F DALI version, with DALI dimmable electronic driver included, protection fuse.

Versions with 1 / 3h autonomy emergency kit and with RGB DMX circuit available on request.

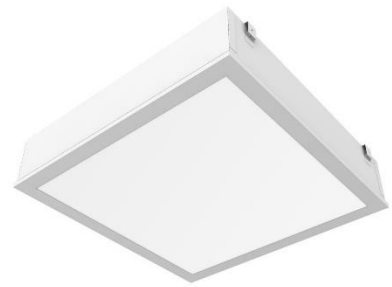
**Luminous source:** High efficiency LEDs arranged on rigid modules, color rendering IRC > 80 or IRC > 90, color temperature 4000K (3000K and 5000K available on request) LED diode selected 3 MacAdam ellipses in order to guarantee uniform chromaticity.

LED TUNABLE WHITE 2700-6500K versions available on request.

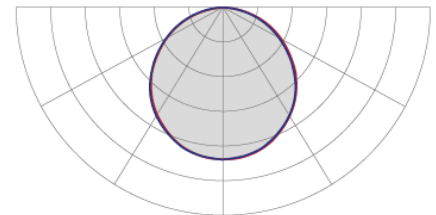
Life of the sources in normal conditions: over 50,000 hours L80 / B10 at Ta = 25 ° C.

**Regulations:** appliance complies with the following standards:

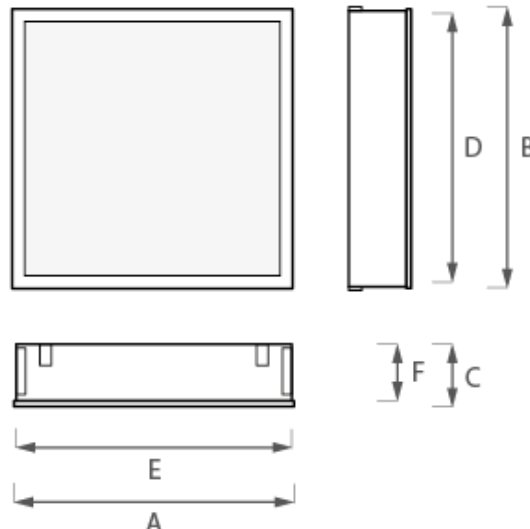
- |                 |                  |                           |
|-----------------|------------------|---------------------------|
| • EN 61547      | • IEC/TR 62471-2 | • EN 60598-2-2            |
| • EN 55015      | • EN 60061-1     | • EN 62471 (risk class 0) |
| • EN 61000-3-2  | • EN 62031       | • EN 62560                |
| • EN 61000-3-3  | • EN 62493       | • EN 60968                |
| • EN 61347-1    | • EN 60598-1     | • CEI 76-10               |
| • EN 61347-2-13 | • EN 60598-2-1   | • EN 60529                |



Demonstration image



Photometric curve





**Module 600x600**

Power [W]	Color temperature [K]	CRI	Effective flux [lm] *	Efficiency [lm/W]	Energetic class	Dimensions [mm]						Code / Wiring	
						A	B	C	D	E	F	LED-F	LED-F DALI
38	4000K	>80	4218	111	A++	600	600	135	592	591	118	442000108	442000109
38	4000K	>90	3382	89	A++	600	600	135	592	591	118	442000116	442000117
44	4000K	>80	4884	111	A++	600	600	135	592	591	118	442000009	442000010
44	4000K	>90	3916	89	A++	600	600	135	592	591	118	442000130	442000131
50	4000K	>80	5550	111	A++	600	600	135	592	591	118	442000031	442000032
50	4000K	>90	4450	89	A++	600	600	135	592	591	118	442000035	442000036
78	4000K	>80	10218	124	A++	600	600	135	592	591	118	442000249	442000250
78	4000K	>90	7722	99	A++	600	600	135	592	591	118	442000251	442000252

**Module 600x1200**

Power [W]	Color temperature [K]	CRI	Effective flux [lm] *	Efficiency [lm/W]	Energetic class	Dimensions [mm]						Code / Wiring	
						A	B	C	D	E	F	LED-F	LED-F DALI
88	4000K	>80	9768	111	A++	600	1200	135	1192	591	118	442000253	442000254
88	4000K	>90	7832	89	A++	600	1200	135	1192	591	118	442000255	442000256
100	4000K	>80	11100	111	A++	600	1200	135	1192	591	118	442000257	442000258
100	4000K	>90	8900	89	A++	600	1200	135	1192	591	118	442000259	442000260
156	4000K	>80	19344	124	A++	600	1200	135	1192	591	118	442000261	442000262
156	4000K	>90	15444	99	A++	600	1200	135	1192	591	118	442000263	442000264

\* Actual flow may have a tolerance of ± 10%.



**Description:** LED recessed luminaire, direct light, suitable for installation on false ceilings with modular panels MODEL ATENA SYNCRO EVO B24 type 600mm x 600mm. Wired body resting on the false ceiling structure, lower diffuser equipped with a special coupling system using harmonic steel springs, supplied. It is recommended to hang the lighting body on the floor (hanging system not supplied).

**Body:** steel sheet, painted in matt white (RAL 9003 matt) with thermosetting epoxy powders at 180 ° C, after degreasing, phosphating and washing treatment. The device, equipped with internal sealing gaskets, guarantees total protection against dust and water jets, thus allowing its use in environments such as chemical laboratories, rooms and hospital rooms, operating theaters and generally in environments where they are necessary. particular aseptic conditions.

**Optical group:** MOT optic with high transmittance opal methacrylate diffuser. Lower diffuser support frame in **white pre-painted** steel fixed to the metal body by means of special steel springs, without visible screws. It offers excellent light diffusion with high uniformity. Optics resistant to glow-wire test at 650 ° C according to CEI EN 60695-2-11 standards. Protection degree **IP65**.

**Wiring:** power supply 220-240V 50 / 60Hz with rigid cable, sect. 0.50 mm<sup>2</sup> and PVC-HT sheath resistant to 90 ° C according to CEI 20-20 standards. Terminal block with maximum allowed cable cross section of 2.5 mm<sup>2</sup>. Insulation class I. Suitable for installation on normally flammable surfaces.

- LED-F version with electronic driver with fixed output (ON / OFF), included, protection fuse.
- Dimmable LED-F DALI version, with DALI dimmable electronic driver included, protection fuse.

Versions with 1 / 3h autonomy emergency kit and with RGB DMX circuit available on request.

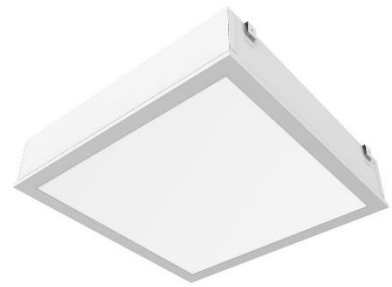
**Luminous source:** High efficiency LEDs arranged on rigid modules, color rendering CRI> 80 or CRI> 90, color temperature 4000K (3000K and 5000K available on request) LED diode selected 3 MacAdam ellipses in order to guarantee uniform chromaticity.

LED TUNABLE WHITE 2700-6500K versions available on request.

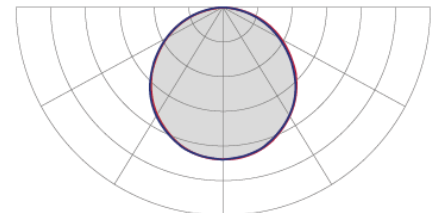
Life of the sources in normal conditions: over 50,000 hours L80 / B10 at Ta = 25 ° C.

**Regulations:** appliance complies with the following standards:

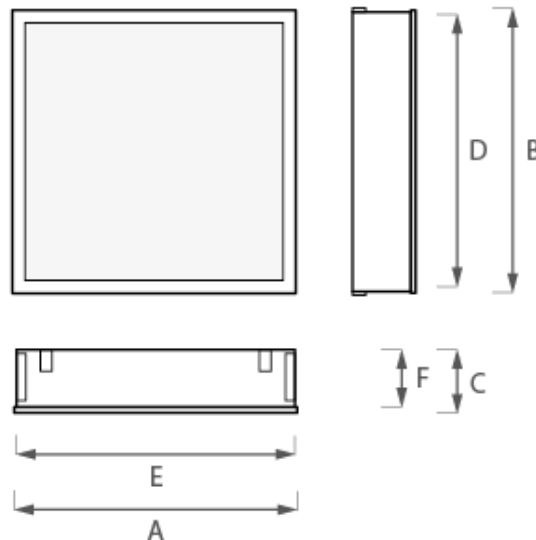
- |                 |                  |                           |
|-----------------|------------------|---------------------------|
| • EN 61547      | • IEC/TR 62471-2 | • EN 60598-2-2            |
| • EN 55015      | • EN 60061-1     | • EN 62471 (risk class 0) |
| • EN 61000-3-2  | • EN 62031       | • EN 62560                |
| • EN 61000-3-3  | • EN 62493       | • EN 60968                |
| • EN 61347-1    | • EN 60598-1     | • CEI 76-10               |
| • EN 61347-2-13 | • EN 60598-2-1   | • EN 60529                |



Demonstration image



Photometric curve





**Module 600x600**

Power [W]	Color temperature [K]	CRI	Effective flux [lm] *	Efficiency [lm/W]	Energetic class	Dimensions [mm]						Code / Wiring	
						A	B	C	D	E	F	LED-F	LED-F DALI
38	4000K	>80	4218	111	A++	600	600	135	592	591	118	442000231	442000232
38	4000K	>90	3382	89	A++	600	600	135	592	591	118	442000233	442000234
44	4000K	>80	4884	111	A++	600	600	135	592	591	118	442000235	442000236
44	4000K	>90	3916	89	A++	600	600	135	592	591	118	442000237	442000238
50	4000K	>80	5550	111	A++	600	600	135	592	591	118	442000239	442000240
50	4000K	>90	4450	89	A++	600	600	135	592	591	118	442000241	442000242
78	4000K	>80	10218	124	A++	600	600	135	592	591	118	442000243	442000244
78	4000K	>90	7722	99	A++	600	600	135	592	591	118	442000245	442000246

**Module 600x1200**

Power [W]	Color temperature [K]	CRI	Effective flux [lm] *	Efficiency [lm/W]	Energetic class	Dimensions [mm]						Code / Wiring	
						A	B	C	D	E	F	LED-F	LED-F DALI
88	4000K	>80	9768	111	A++	600	1200	135	1192	591	118	442000223	442000224
88	4000K	>90	7832	89	A++	600	1200	135	1192	591	118	442000225	442000226
100	4000K	>80	11100	111	A++	600	1200	135	1192	591	118	442000247	442000248
100	4000K	>90	8900	89	A++	600	1200	135	1192	591	118	442000221	442000222
156	4000K	>80	19344	124	A++	600	1200	135	1192	591	118	442000227	442000228
156	4000K	>90	15444	99	A++	600	1200	135	1192	591	118	442000229	442000230

\* Actual flow may have a tolerance of ± 10%.